



The Uno & Duo family.

Practical transport solutions with maximum functionality.

www.boeckmann.com



FIRST CLASS TRANSPORT





High class.

For more than 65 years we have been designing horse trailers that are precisely tailored to the needs of horses and their riders, that meet the highest quality standards and offer a host of advantages in everyday equestrian life. Just like the Uno & Duo family. Reliable quality, robust materials and the Böckmann safety commitment make a noticeable difference. A striking design, aerodynamic form and generous dimensions make the Uno and Duo models a stylish yet functional companion. Discover more about this track-proven horse trailer family now. We hope you enjoy browsing through this brochure.

Klaus Böckmann

Contents

The family company	4
The Uno and Duo family	6
Uno C	8
Duo C	10
Duo R	12
Standard features	14
Model types	18
Tack lockers	20
Added value	22
Colours and decors	32
Accessories	34
Service	36
The Böckmann World	38



From the idea to the product: Anton Böckmann laid the foundations of the company with skilful craftsmanship and passion for his work.



A family memory: The four young Böckmann brothers on their first Shetland pony "Raudi".



Important hands-on experience – Klaus Böckmann handling his own horses.



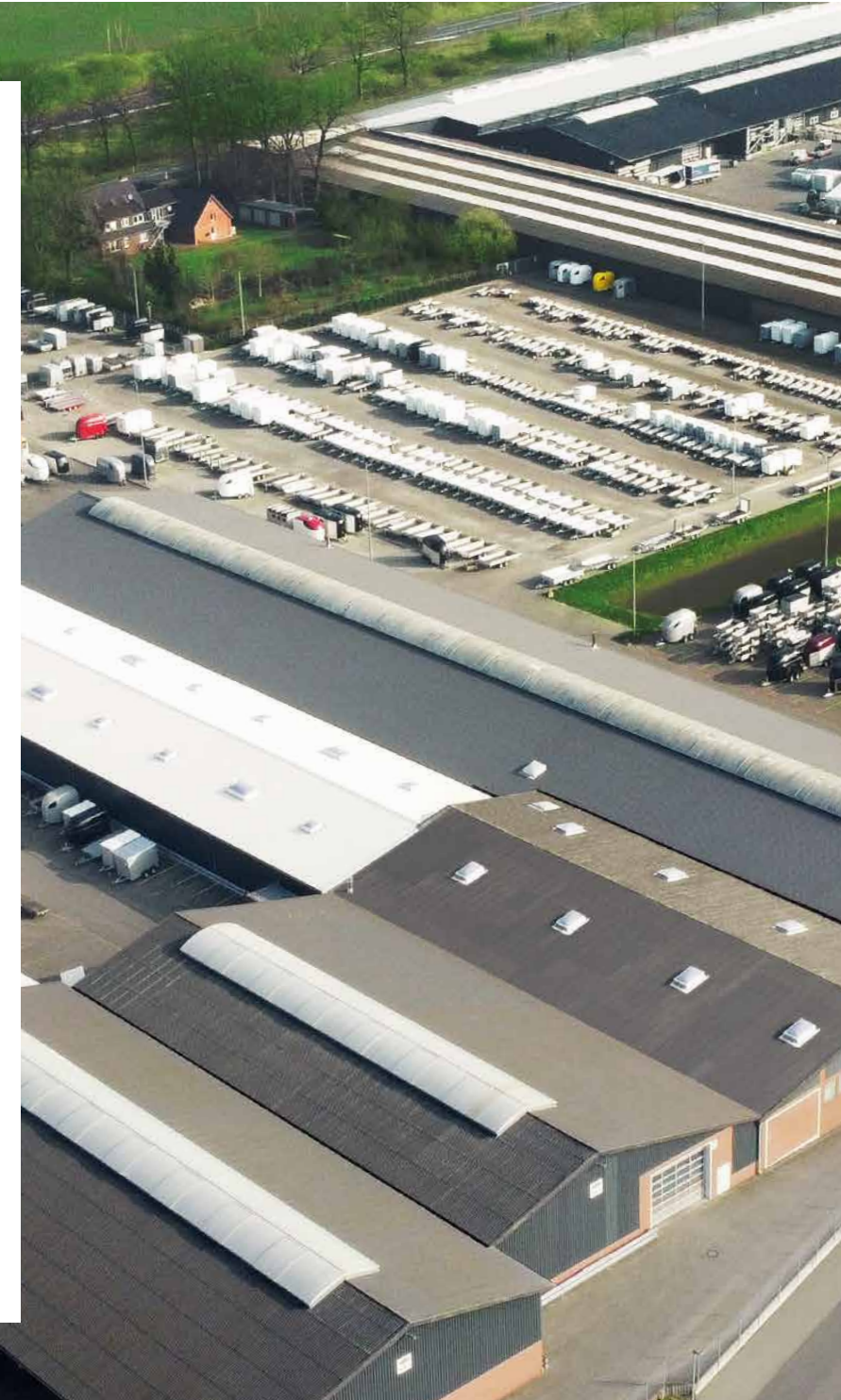
Effective training means greater success – Gilbert Böckmann at the stables of Böckmann Pferde GmbH.



The next generation has now also joined the company's team: Stella Böckmann and Justus Böckmann.



One big family – from a small blacksmith's workshop to the Böckmann Group – with a workforce of more than 500 in 2024.



Böckmann. The family company.

The company's development from a small village smithy to an international market leader has been shaped above all by one sentence: "You have to put your heart and soul into the business to be successful in the long term." This conviction, which Brigitte and Anton Böckmann have passed on to the family since the company was founded in 1956, still holds true today. With Stella Böckmann and Justus Böckmann the third generation of the company also stands for transport solutions which are characterised by first-class quality, the best design and absolute reliability.

Another decisive part of the successful Böckmann DNA is also a matter close to the heart of the family members – their passion for equestrian sport. Looking after your own horses every day is both an inspiration and an opportunity to test vehicle developments. Only developments that have proven their worth in the stables are taken into production. This is how the company has been manufacturing horse trailers that deliver real added value for more than 65 years.



The founders: Anton († 2010) and Brigitte Böckmann († 2011).



The headquarters of Böckmann Fahrzeugwerke GmbH are located in Lastrup, Lower Saxony.

The Uno & Duo family.

With their striking design and aerodynamic form, the Uno & Duo family is particularly easy to tow and therefore noticeably reduces your fuel consumption. The many other equipment details that have been developed from practical experience for practical use, such as the Multi Safe System (MSS) safety stall bar system, the generously dimensioned layout and the large pop-up windows that ensure an optimum interior atmosphere make the Uno & Duo family a stylish and functional companion. The Uno and Duo family offers you a comprehensive range of features at an attractive price.

Take a look at the many extra benefits, the Böckmann safety guarantee and the equipment highlights and find out which model is the right one for you.

The Uno & Duo family



Uno C



Duo C



Duo
Kutsche C



Duo
Western C



Duo
Pony C



Duo
Isy C



Duo R





Uno C.

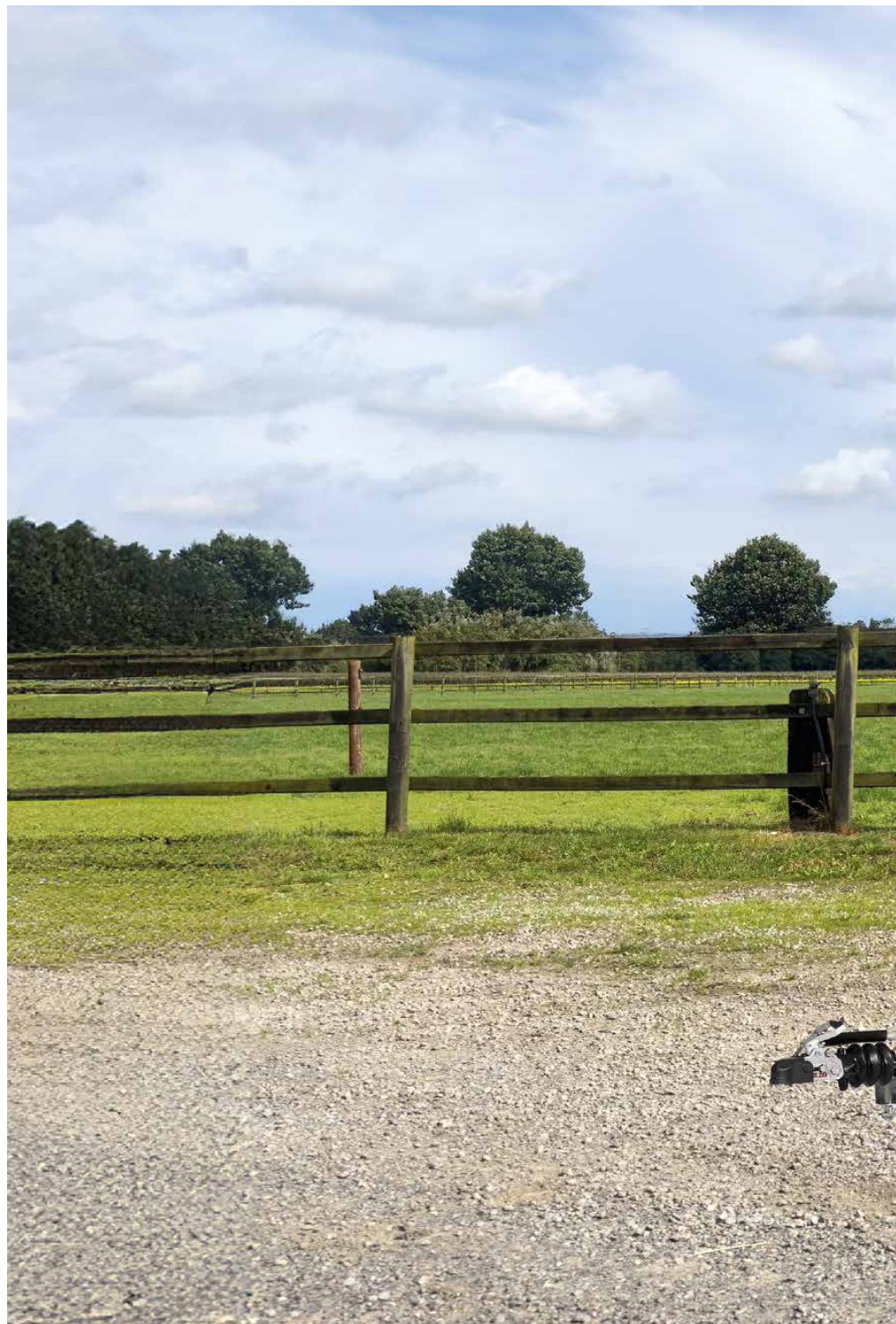
With the Uno models you can transport your horse or mare and foal comfortably and safely to their destination. You also profit from the many detailed Böckmann solutions in the standard features, for example the glued plywood body and the 3-point door locking system and much more!



For more information visit:
www.boeckmann.com

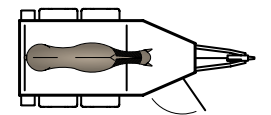


Ideal for transporting a horse or mare with foal
due to the optional space dimensions, quick access
to the horse compartment and the optionally available
tack locker with extensive standard features.





Uno C



Duo C.

Our Duo C offers the highest quality at an attractive price. The model has an extremely robust construction, 13-layer glued plywood body and an extensive range of accessories as standard features: In addition, the Duo C includes the Multi Safe System (MSS) safety stall bar system as standard. With the Duo C you can transport two horses safely and comfortably to any destination at the same time.



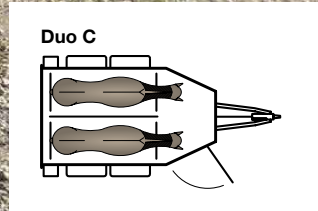
For more information visit:
www.boeckmann.com



Perfectly designed for daily use

due to the robust body with 1500 mm high side walls made of plywood, convenient access to the horse compartment as well as the standard tack locker with comprehensive features (the tack locker is an accessory).





Duo R.

Flowing lines - optimum configuration: The aerodynamic Duo R gives your horse plenty of headroom. In addition to its high-quality appearance thanks to the generously dimensioned polyester bow, it also features plenty of additional space in the standard tack locker – including pull-out, height-adjustable saddle racks. The perfect combination of design and space!



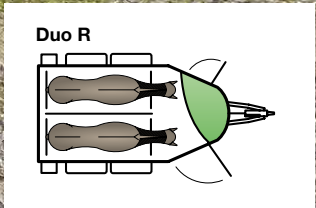
For more information visit:
www.boeckmann.com



Plenty of space for horse and rider

thanks to the aerodynamic design of the Duo R and the generously dimensioned polyester bow. For more information on the tack lockers turn to page 20.





Standard highlights.

The standard equipment with the Comfort suspension chassis and the wide entrance ensures comfort and safety as standard. All in all the standard features of the Uno and Duo models stand out with many details and innovations from which horse and rider benefit every day.



Plenty of space and comfort

with the easily accessible tack lockers with clever details and extensive standard accessories. For more information on the tack lockers turn to page 20.



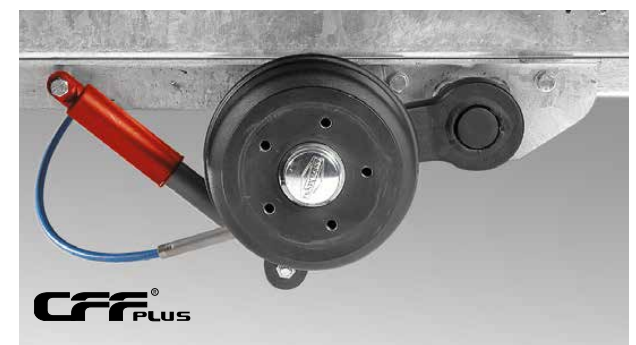
Safe transport

is ensured by the track-proven Böckmann partition wall system and the safety stall bar system (MSS) with an adjustable height range and tie rings (not a standard feature on the Uno C). Further protection is provided by the additional stall bar padding (the padding and kick protection on the side walls are accessories).



Fast safety in emergencies

with the track-proven Multi Safe System safety stall bar system (MSS) for front and rear. The wheel spanner is included in the standard equipment.



Optimum road handling

due to the lowered comfort suspension chassis with wheel shock absorbers and soft suspension.



More space when loading and unloading

due to the wide entrance and inviting interior as well as the cleverly designed partition wall system.



Simple operation

with the automatic jockey wheel – extra-long with easy-to-handle crank. Also easy to use in cold weather.



Safe hitching and unhitching

with the lockable cast coupling with rubberised, convenient heart-shaped handle and soft top (crash protection).



For descriptions of all standard features of the individual models and more visit:
www.boeckmann.com

Even more standard equipment.



For descriptions of all standard features of the individual models and more visit: www.boeckmann.com



Tarpaulin lift
with integrated net and roll-up function.



Low loading height

The lowered CFF system ensures a low loading height and therefore convenient and stress-free loading for the horses.



Calming atmosphere

provided by the blue LED transport light – can be conveniently switched from blue to white.



Good ventilation, light interior and UV protection

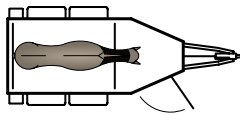
due to the pop-up side windows. Dazzle-free, with UV protection and safety grille.

The overview.



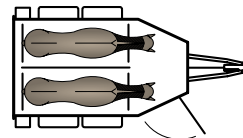
Uno C

Comfortable horse stall area for a horse or mare with foal. Large entrance door to the horse compartment and optional tack locker accessible from the outside.



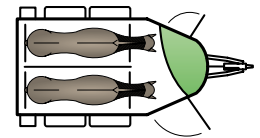
Duo C

Comfortable horse stall area with MSS for two horses. Large entrance door to the horse compartment and optional tack locker accessible from the outside.



Duo R

Aerodynamic design with the polyester bow with a tack locker as a standard feature. Comfortable horse stall area with MSS for two horses.



The model versions.

Kutsche



Duo
Kutsche C*

Western



Duo
Western C



Lots of space for carriage equipment

with the tack locker equipped with pull-out saddle racks, plastic shovel, telescopic broom, mirror, door net and an interior light (accessory).



Convenient carriage loading

with a new carriage platform* with solid corrugated aluminium sheets and drive-on rails; optionally with tube for stowing the whip.



Lots of space for riding equipment

in the tack locker with large saddle racks for Western saddles; equipped with plastic shovel, telescopic broom, mirror, door net, pad holder and interior lighting as a standard feature.



Comfortable transport

due to the partition wall with optimised stall dimensions for medium-sized horses (height approx. 155 cm).

* For Duo Kutsche C (inside width 1650mm) : Total weight 2.7t, total drawbar length 265 mm. Carriage box dimensions: 1760 x 1400 mm, max. carriage stand width 1400 mm, max. carriage weight 300 kg, length of drive-on rails 1450 mm, distance of the carriage box to the trailer front wall: 50mm. NOTE: The horse carriage trailer can be driven without a carriage if the horse position is shifted accordingly.

Pony



Duo
Pony C



Ideal for small horses

due to an interior height of 2120 mm; 2 feed troughs (accessories, included with optional tack locker) ensure easily accessible feed on the road.



Comfortable transport

due to the partition wall with optimised stall dimensions for small horses such as ponies (height approx. 145 cm)

Icelandic



Duo
Isy C



Lots of space for riding equipment

in the tack locker equipped with pull-out saddle racks, plastic shovel, telescopic broom, mirror, door net, pad holder and an interior light (accessory).



Comfortable transport

due to the partition wall with optimised stall dimensions for Icelandic ponies (height up to approx. 145 cm); fencing systems can be stowed in the storage compartment at the side (standard feature).

The tack locker. Uno C.

The Uno C tack locker is available as an option. The sophisticated design has a perfect space concept for maximum room and comfort.



Everything is conveniently accessible from the outside
through the large tack locker door. Perfect closure with the 3-point door locking system and rubber seal.



Practical storage
with optimised cleaning and defined water drainage. The special shape with large radii does not have any edges for the horse to bite.



Uno C tack locker
accessible from the outside with a pull-out, padded and height-adjustable saddle rack, optimally positioned bridle hooks, riding crop holder, a plastic shovel, a telescopic broom, a mirror and a door net on the inside of the door, as well as a folding stool with safety catch and LED lighting.

The tack lockers. Duo C and R.

The Duo C comes with an optional tack locker accessible from the outside, which also offers a unique range of storage space and shelf space as standard on the Duo R thanks to the additional space provided by the polyester bow.



Large shelf in the interior of the trailer with incorporated recess for optimum cleaning, no biting edges.



Everything is conveniently accessible from the outside through the large tack locker door. Perfect closure with the 3-point door locking system and rubber seal.



Duo R tack locker with storage compartment and extensive standard equipment: pull-out saddle rack, telescopic broom, plastic shovel, door net, mirror, riding crop holder, large bridle hooks and LED light.

Good for your horse.

The loading height, the light interior with plenty of headroom, the Multi Safe System (MSS) and the absolute absence of sharp corners and edges – the safety of your horses is our main priority. These detailed solutions – standard features on all Böckmann horse trailers – have been developed on the basis of 65 years of experience gained with our own horses and have been consistently adapted to their well-being and comfort.

For further details on the **Böckmann safety concept** and the added advantages visit www.boeckmann.com



Large and inviting entrance

due to the narrow roof edges, interior tarpaulin lift and the light interior walls. At night the interior lighting provides sufficient light in the interior.



Low loading height

due to the lowered Comfort suspension chassis with wheel shock absorbers and soft suspension or the lowered World Class chassis with hot-dip galvanised independent suspension, coil spring suspension and wheel shock absorbers.



Optimum foothold and minimised risk of slipping

due to special safety treads, side stops on the rear ramp covering and the enclosed, narrow rear ramp hinge.



Lots of room for a wide stance

due to securing of the PVC curtain 60mm above the floor – for comfortable transport.

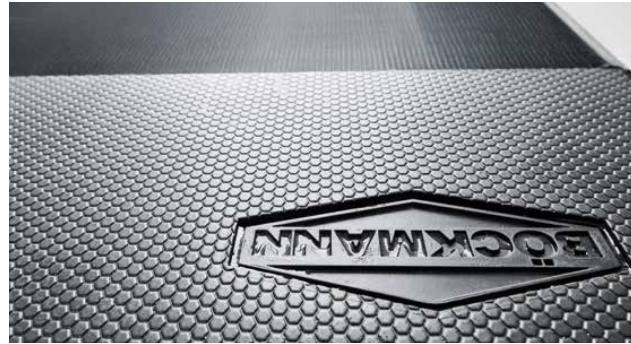


Safe transport

is ensured by the track-proven Böckmann partition wall system and the safety stall bar system (MSS) with tie rings and an adjustable height range of 10 cm. Further protection is provided by the additional stall bar padding as well as the padding and kick protection on the side walls which are available as an accessory.



No slipping of the horse's hooves and good visibility from the car
due to closed, special perforated rear struts.



Safe to stand on
due to the rubber floor with non-slip textile structure (wear mat available as an option).



No sharp edges and corners
ensured by rounded hinges and plastic covers on the steel profile struts and at the ends of the rear struts.



Plenty of headroom, space and light interior

ensured by the generous space concepts of the Uno and Duo family. The tinted pop-up windows with integrated grille, large radii without corners and edges and flat hinges provide additional protection.



Fast safety in emergencies

with the track-proven Multi Safe System safety stall bar system (MSS) for front and rear. The wheel spanner is included in the standard equipment.



Calming atmosphere

provided by the blue LED transport light – can be conveniently switched from blue to white.



Plenty of room for the tail

due to the generous clearance between the stall bar and the rear ramp.



Easily accessible feed

with two safety feed troughs with holder.



Easily accessible hay

with optimally positioned hooks and counterholders for a hay net. The specially shaped tack locker with its large radii does not have any biting edges for the horse.



Safety

with the robust, angle lever locks with 180° rotation that minimise the risk of injury to your horse.



Tarpaulin lift

with integrated net and roll-up function.



No entangling of the rope

due to flat door handles.



Good ventilation, light interior and UV protection

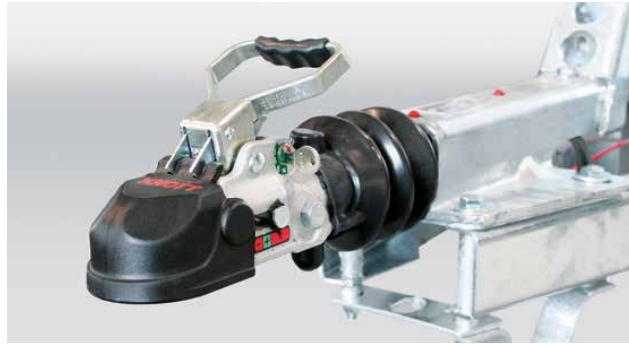
due to the pop-up side windows. Dazzle-free, with UV protection and safety grille.

Good for you.

In addition to the needs of the horses, our horse trailers are tailored to the requirements of the riders.

Innovations such as the chassis, the coupling and the automatic jockey wheel prove their worth in daily use.

Details such as the riding crop holder, the mounting step and the extra wide bridle hooks at the right place show that during development the main focus was on one main thing – practical experience for practical applications.



Safe hitching and unhitching

due to the lockable cast coupling with rubberised, convenient heart-shaped handle and soft top (crash protection).



Easy manoeuvring

due to the automatic jockey wheel – extra-long with an easy-to-handle crank and optimally positioned manoeuvring handle, perfect to use, even in cold weather.



Optimum closure

with the 3-point door locking system and rubber seal.



Plenty of space for loading and unloading

due to the large clearance between the stall bar and tack locker in the front area of the trailer.



Quick access to the horse compartment

through a large entrance door and plenty of space once inside.



Crash and theft protection

provided by the lockable cast-iron coupling with soft-top crash protection and rubberised, convenient heart-shaped handle.



Unimpeded access to the car boot

due to the rubberised, convenient heart-shaped coupling handle and the flat brake lever – also when attached.



Convenient operation

due to the easily accessible and separate light switch for the interior lighting on the right-hand entrance door.



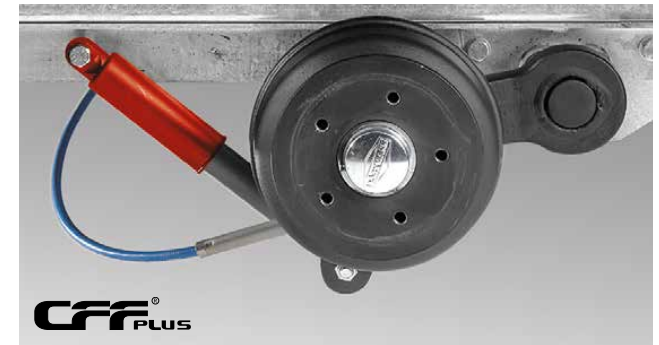
Comfortable transport

with the partition wall with optimised stall dimensions.



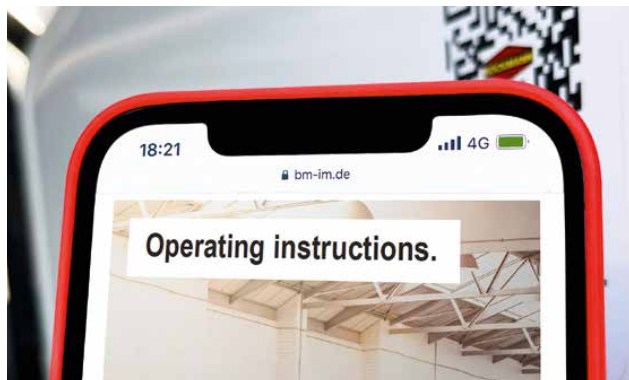
One key for all locks

with a master key in triplicate for the tack locker door, entrance door and cast coupling.



Optimum road handling

with the lowered comfort suspension chassis with wheel shock absorbers and soft suspension.



Fast access to the operating instructions

with the QR code directly on the vehicle.



For further details on the extra features of the individual models visit:
www.boeckmann.com



Tack locker as a shelf

with an optimised design and plenty of space and no biting edge for the horses. Practical cleaning with defined water drainage.



Fenders as shelves

with the wide and straight top shape of the impact-resistant plastic or polyester fenders (accessory).



Simple operation

due to the practical roll-up function of the tarpaulin lift. Lifting device for easy opening of the rear ramp, additionally with robust double step



Convenient operation and extensive features in the tack locker

with a door catch as well as a telescopic broom, plastic shovel, door net, mirror, crop holder, large bridle hooks, pad holder, LED and folding stool with safety catch.



Practical protection against damage
with door catches on the doors.



Protection from rain
provided by the rain gutters above the doors and also in the rear area.



More travelling safety
due to the large-dimensioned quality tyres.



Easy to tow
due to the aerodynamic body and low centre of gravity.



Tie options
with lots of fittings on and in the trailer.

Good for stable value.

Original Böckmann quality down to the last detail – for you this means: Durability and an excellent trade-in value. This is achieved by absolutely solid workmanship and the use of high-quality materials. Experience the strength and safety of our horse trailers yourself.



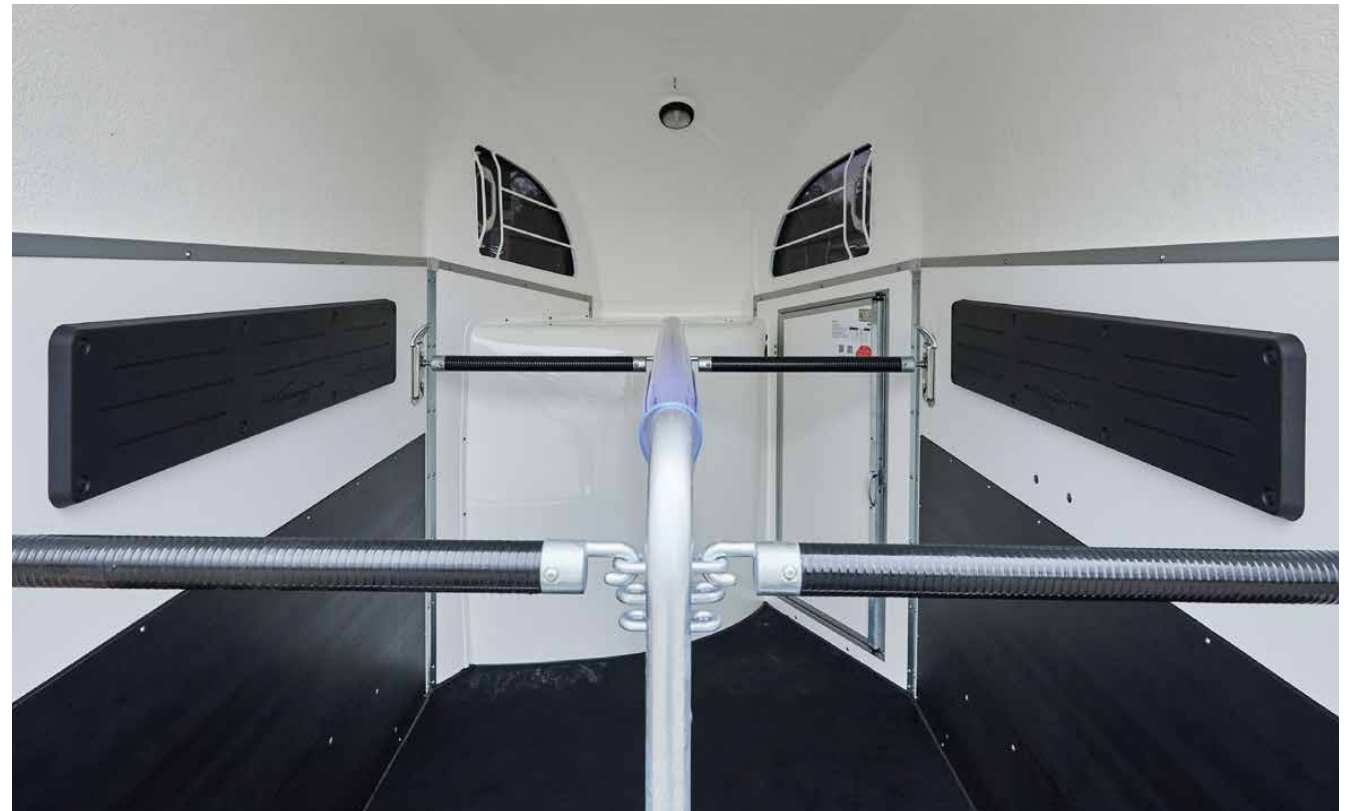
Strong frame

with a full-length Z-profile frame of galvanised special steel – firmly bolted to the body.



Robust construction

with 13-fold glued plywood body for a long service life.



Kick protection

with high impact-resistant synthetic material on the side walls (accessory).



For further details on the extra features of the individual models visit:
www.boeckmann.com



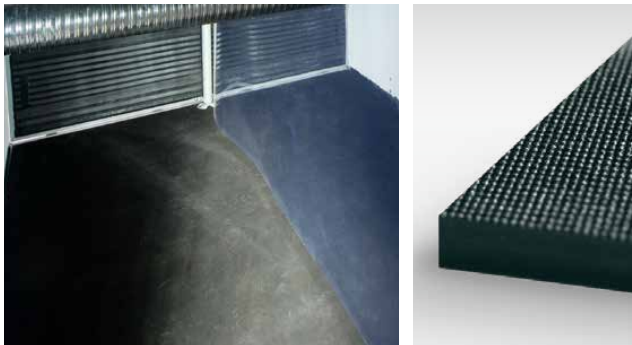
Robust rear ramp

with four galvanised steel profile struts with integrated lifting device; additionally with a 2-stage, robust step.



Strong partition wall construction and high-quality materials

due to the solid, welded steel frame.



Resilient

due to the fully bonded and sealed rubber floor (8 mm) throughout.



Higher payload

with the standard 2400 kg total weight of the Duo C. (Uno C: 1600 kg, Duo R: 2400 kg)

Great design.

Individuality in its most appealing form – all Uno and Duo models can be designed according to your taste. Lots of colour combinations are possible – from the roof to the bow to the polyester fenders and the covers for side braces. We would also be pleased to offer you individual and photorealistic wraps according to your specifications. Simply ask the Böckmann specialist dealer in your area.



The Duo C in the colours silver grey, anthracite and deep orange.



White²



Silver metallic¹



Anthracite metallic²



Slate grey³



Slate grey metallic³



Silver grey³



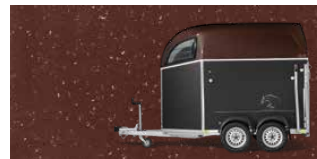
Dark blue metallic²



Red metallic²



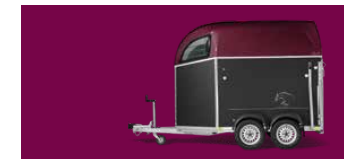
Green metallic²



Dark brown metallic²



Royal blue³



Frozen berry³



Flame red³



Magenta³



Yellow³



Yellow green³



Deep orange³

¹ Standard ² Without surcharge ³ With surcharge

Experience has shown that printing inks cannot reproduce the original colour of paintwork. We therefore recommend that you ask your Böckmann partner to show you the colour samples. Individual colour combinations, special finishes as well as wraps based on your design are possible. Your Böckmann specialist dealer will be pleased to help you.

Great looks.

Create "your Böckmann" according to your personal preferences. Large or small decor, multi-colour or monochrome – the choice is yours. The decors are exclusively designed by Jan Künster for Böckmann. We would be pleased to create custom decors and custom sizes based on your design upon request. Your Böckmann specialist dealer will be pleased to help you.



Small decor

Positioning example of large decor motif 2: small decor "Jumper".

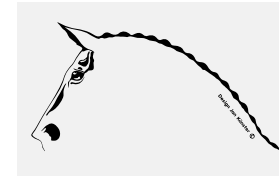


Large decor

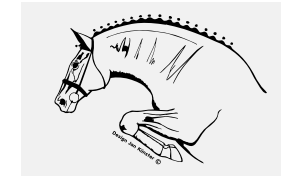
Positioning example of large decor motif large decor "Competition".



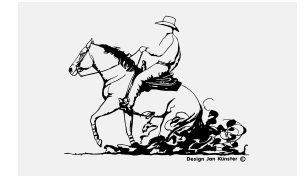
Extended trot, multi-colour



Horse's head



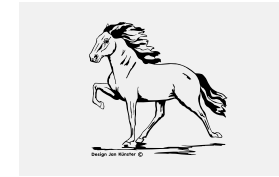
Jumper



Western



Jumper, multi-colour



Gaited horse



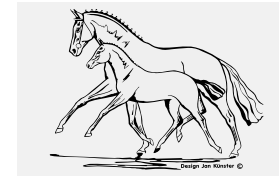
Arabian



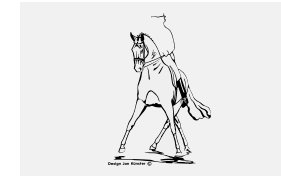
Driving sport



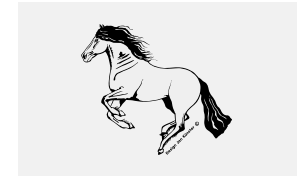
Piaffe, multi-colour



Mare with foal



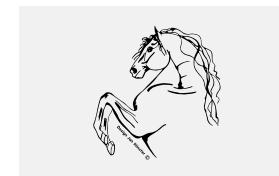
Dressage



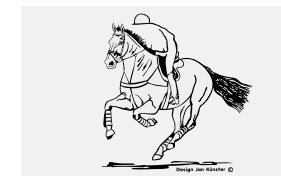
Frisian



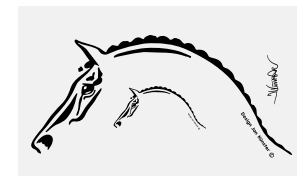
Gallop, multi-colour



Andalusian



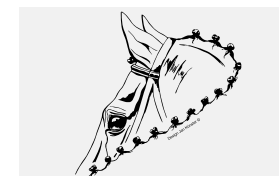
Military



Artline



Competition, multi-colour



Competition



Competition, greyscale

Accessories.

The range of standard features of the Uno/Duo family is extensive. The models have many details and innovations from which both horse and rider benefit. Even more is possible with the original Böckmann accessories – customise your Uno/Duo horse trailer to suit your needs and those of your horses.



Discover the full range of accessories and configure your trailer online:
www.boeckmann.com/en/configurator



Everything perfectly stowed

with various tack locker options with extensive standard features. Depending on the model also available with Western equipment.



Safety on the road

with a folding foal grid.



Practical storage option

with a bar for saddle and saddle pad (on the side of the trailer).



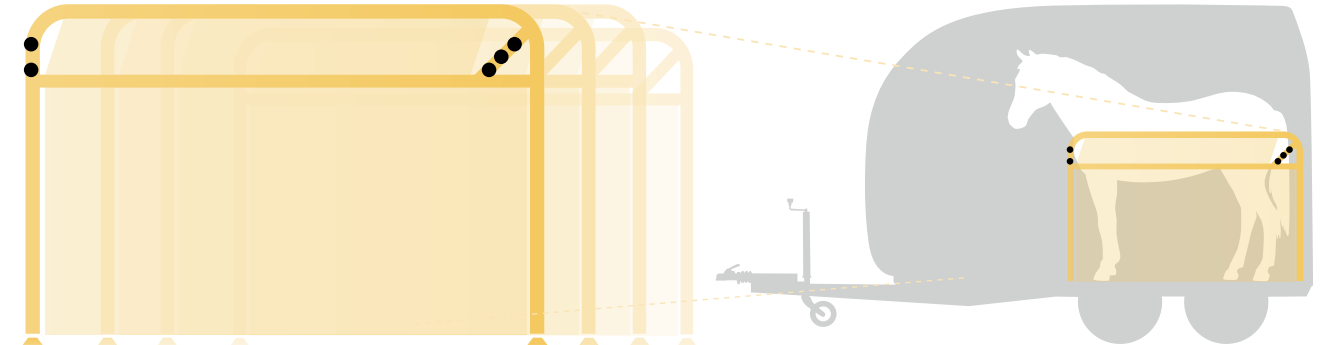
Easy mounting

with the mounting step that can be easily unfolded on the rear ramp; this also puts less strain on the horse's back.



Safe transport

due to the aluminium head partition wall e.g. for transporting two stallions.



Comfortable transport for horses of all sizes

with the partition wall concept. As standard, the Duo R and Duo C models (except Western C) have the Böckmann 165 partition for large horses (1.65 m height), the Pony and Isy models have the 145 partition while the Western C model has the Böckmann 155 partition wall. Other partition wall heights are available on request (at no extra charge) or you can enquire about alternative partition wall heights.



Optimum ventilation

with the roof vent in the polyester roof.



More light at the rear

with the additional interior light



Everything in view

with the video surveillance of the horse compartment as well as an additional rear view camera.



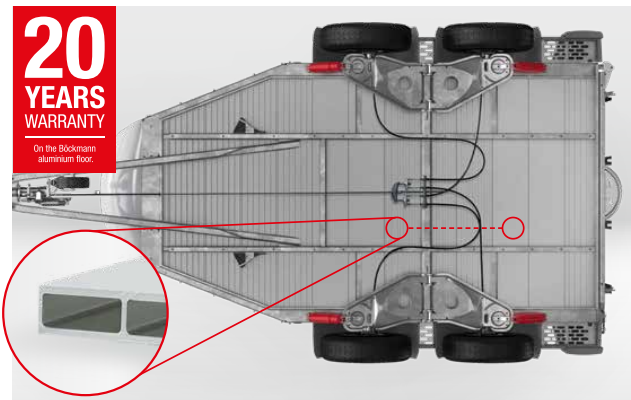
Several safety features

such as the anti-torsion coupling [1] (up to 2.7 t total weight, not lockable), the weatherproof protective cover [2] and the spare wheel with spare wheel holder.



Visual highlight

with the polyester covers for side braces.



Robust, rot-proof and made for high loads

due to the solid quality full aluminium floor with closed profile for reinforcement in the horse compartment as well as the longitudinal beam construction and the welded, hot-dip galvanised steel frame.



Durability

with the kick protection in front of the horses (Uno C) and the wear mat under the front legs.

First class service.

As a Böckmann customer you will receive personal support with many service offers directly on site. Our dense network of competent and trained Böckmann sales partners is at your disposal across the country. They will be able to provide you with the excellent trailer advice and top-notch service you need. We have put together more information and tips for you in our online service portal:



Original part orders

Guaranteed exact fit, reliability, durability in daily use and a higher resale value.

You are welcome to purchase Böckmann original parts from your specialist dealer in your region.

www.boeckmann.com/en/accessories



Repair service

Trained employees take care of all repairs and the installation of original parts if necessary. Also together with the next general inspection upon request.

www.boeckmann.com/en/services



Böckmann magazine

Read our Böckmann magazine for important information, trade fair dates and helpful trailer tips.

Take a look inside:

www.boeckmann.com/en/magazine



Böckmann FAQs

Frequently asked questions about transport, trucks and trailers. We provide answers to your questions and the support you need to be perfectly prepared for your transport needs.

www.boeckmann.com/en/services/faqs



Böckmann partners

Find your personal Böckmann dealer at home and abroad with ease. Refer to our dealer locator at:

www.boeckmann.com/en/dealer-locator

Böckmann financing options.

Would you like to finance or lease a new Uno or Duo? Simply contact your local dealer and ask about the various options. Your Böckmann dealer will be happy to help you.

Ask your local
dealer!



Get moving with Böckmann. First class and hand in hand.

The Böckmann brand has stood for progress, quality and reliability since 1956. Our services and products are designed to inspire people time and time again and deliver real added value. "You have to put your heart and soul into the business to be successful in the long term" was the guiding principle of our founders. And this is still a living part of the company today and every day. Welcome to the world of Böckmann.



Böckmann trailers

A success story which started in 1956: As the trailers are used for Böckmann's own horses, they have been subjected to constant improvement over the years. In this way we became the international market leader for horse trailers.



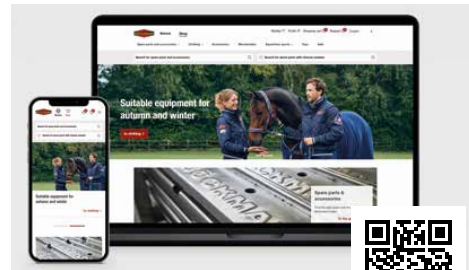
Böckmann transporters

Thanks to the experience of over 60 years of equestrian sport, we develop horse trucks that leave nothing to be desired. Whether in the living or sleeping compartment or the horse compartment – every single detail is designed and produced individually in Lastrup. And naturally hand-crafted. Let us advise you directly at the Truck Center.



Böckmann horses

Everything for your horses. Everything from one source. Everything in Hamstrup! Ranging from horse-friendly accommodation with individual care to foaling and successful training in dressage and show jumping by the renowned trainer Gilbert Böckmann and his team.



Böckmann Shop

Spare parts and accessories, collection and merchandise in original Böckmann quality directly from the manufacturer. Simply scan the QR code and explore the entire range in the online shop.








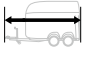
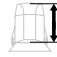

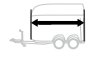
















Find out more about Bockmann:

f [facebook.com/anhangensterklasse](https://www.facebook.com/anhangensterklasse)

▶ [boeckmann.com/youtube](https://www.boeckmann.com/youtube)

@ [instagram.com/boeckmann.horses](https://www.instagram.com/boeckmann.horses)

Technical data

									
 Uno C	1600 kg	2730 mm	1860 mm	4490 mm	2300 mm	1300 mm	3100 mm	848 kg	
 Duo C	2400 kg	2730 mm	2200 mm	4500 mm	2300 mm	1650 mm	3100 mm	1539 kg	
 Duo Pony C	2000 kg	2550 mm	2200 mm	4500 mm	2120 mm	1650 mm	3100 mm	1170 kg	
 Duo Isy C	2000 kg	2550 mm	2200 mm	4500 mm	2120 mm	1650 mm	3100 mm	1170 kg	
 Duo Western C	2400 kg	2730 mm	2200 mm	4500 mm	2300 mm	1650 mm	3100 mm	1539 kg	
 Duo Kutsche C	2700 kg	2730 mm	2200 mm	5885 mm	2300 mm	1650 mm	3050 mm	1660 kg	
 Duo R	2400 kg	2730 mm	2200 mm	4500 mm	2300 mm	1650 mm	3280 mm	1509 kg	


Changes to design and equipment reserved. Weights and dimensions approximate and may change due to additional equipment. Some illustrations in this brochure do not show standard equipment.

Your Böckmann specialist dealer for consulting and service:

Böckmann Fahrzeugwerke GmbH 49688 Lastrup

Phone +49 (0) 4472 895-0

info@boeckmann.com www.boeckmann.com

f facebook.com/anhangersterklasse  boeckmann.com/youtube

@ instagram.com/boeckmann.horses



FIRST CLASS TRANSPORT